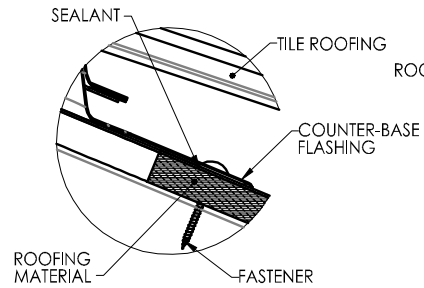
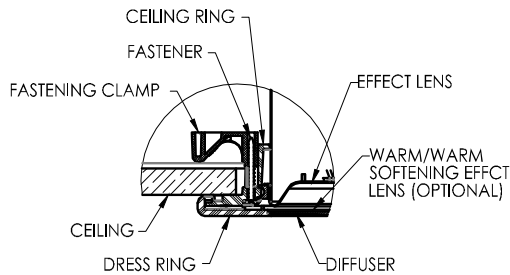


DETAIL A
SCALE 3 : 1

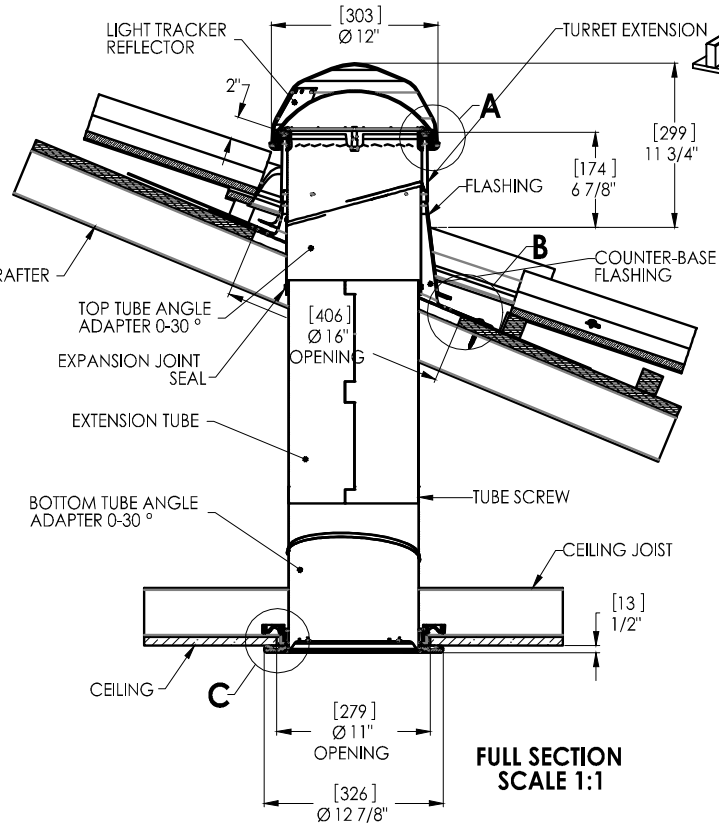


DETAIL B
SCALE 3 : 1



DETAIL C
SCALE 3 : 1

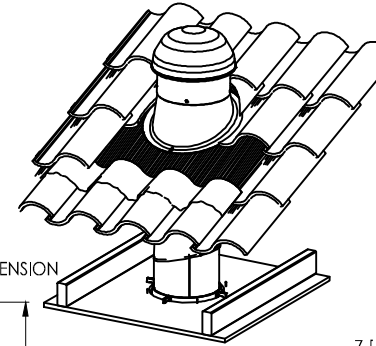
**SOLATUBE 160 DS
(10 IN / 250 MM)
PITCHED TILE FLASHING
HARD CEILING**



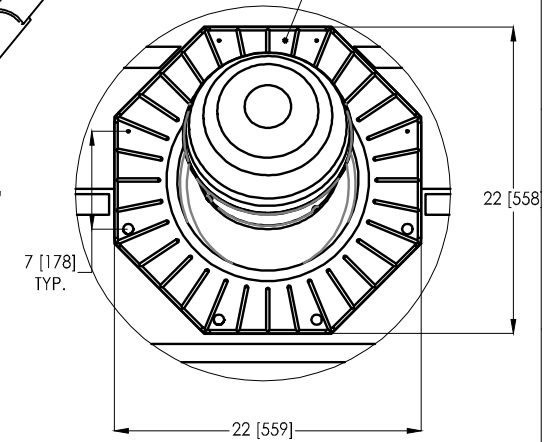
FULL SECTION
SCALE 1:1

NOTES:

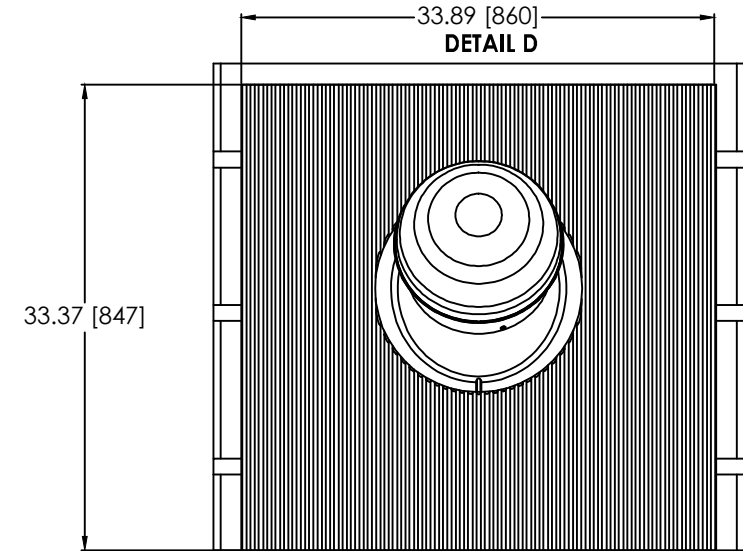
1. STRUCTURAL ELEMENTS (PLYWOOD, RAFTERS, DRYWALL ETC. BY OTHERS & SHOWN FOR REFERENCE ONLY).
2. ALL TUBE JOINTS & SEAMS TAPED WITH 2" FOIL TAPE (NOT SHOWN).
3. DIMENSIONS IN BRACKETS ARE METRIC UNLESS OTHERWISE SPECIFIED.
4. 6" MIN CLEARANCE SHOULD BE MAINTAINED FROM ALL SOLATUBE COMPONENTS AND OTHER PLENUM COMPONENTS.



| REVISIONS | | | | |
|-----------|-----|------------------------------------|---------|----------|
| REV | ECO | DESCRIPTION | CHECKED | APPROVED |
| A | | COUNTER-BASE FLASHING 10/5/2010 | | |



DETAIL D



| | |
|-----------------------------|--------------------|
| UNLESS OTHERWISE SPECIFIED: | |
| DIMENSION TOLERANCE | |
| FRACTION : ±1/4" | |
| INCH ±.1 | MILLIMETER ±.25 |

SOLATUBE INTERNATIONAL, INC.
COPYRIGHT 2010
WWW.SOLATUBE.COM



| | | |
|----------------------|------------|---------|
| MATERIAL | DRAWN BY | DATE |
| -- | STEVENS | 10/4/10 |
| FINISH | CHECKED BY | DATE |
| -- | -- | -- |
| APPROVED BY | | DATE |
| -- | | -- |
| DO NOT SCALE DRAWING | | |

| | |
|---|----------|
| TITLE | SIZE |
| SOLATUBE 160 DS PITCHED TILE FLASHING HARD CEILING | DWG. NO. |
| | REV |
| | A |

| | |
|------------|--------------|
| SCALE: 1:1 | SHEET 1 OF 1 |
|------------|--------------|