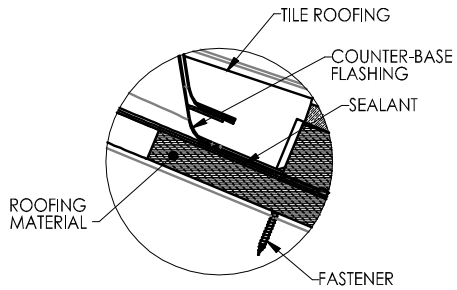
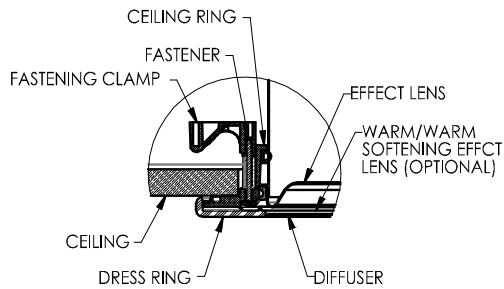


DETAIL A
SCALE 3 : 1

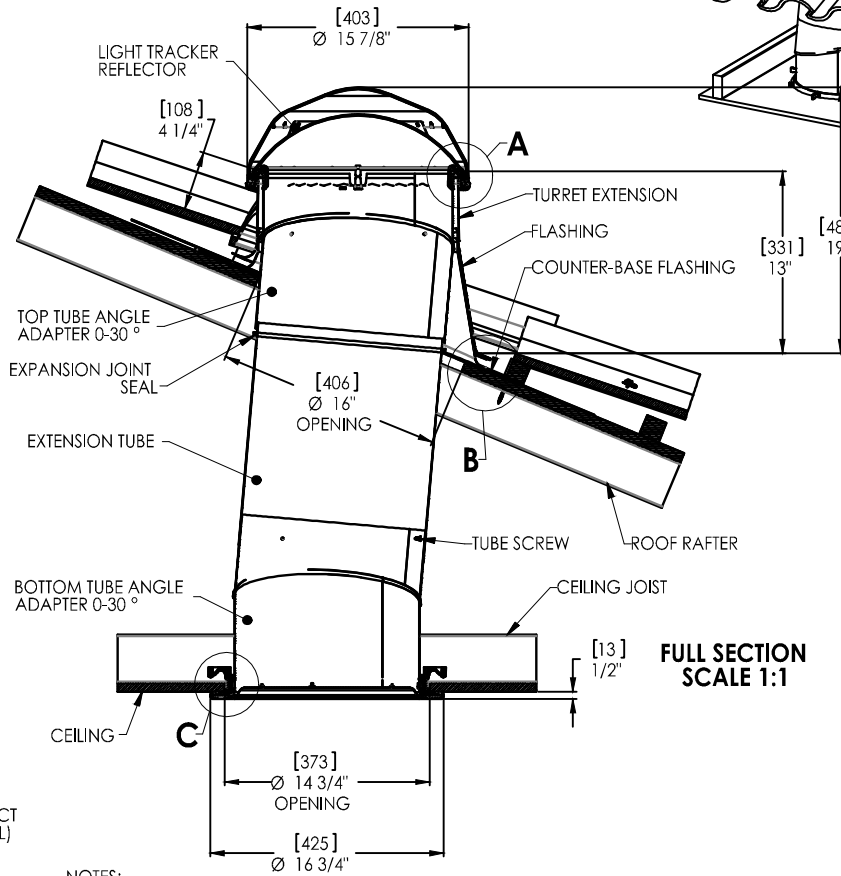


DETAIL B
SCALE 3 : 1

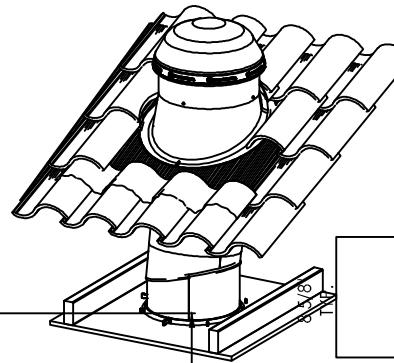


DETAIL C
SCALE 3 : 1

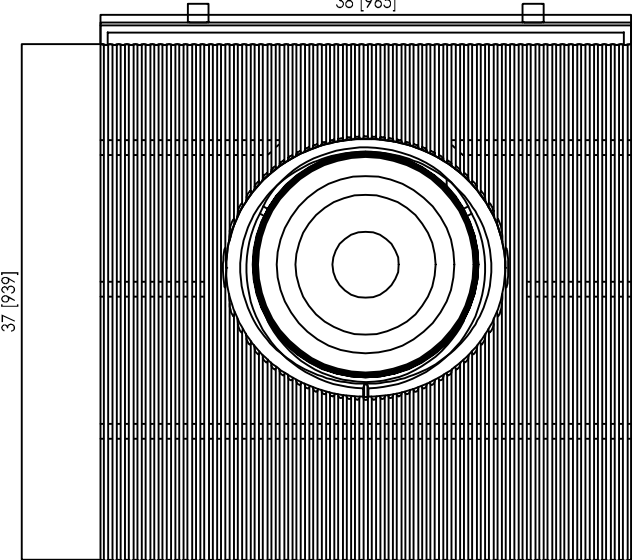
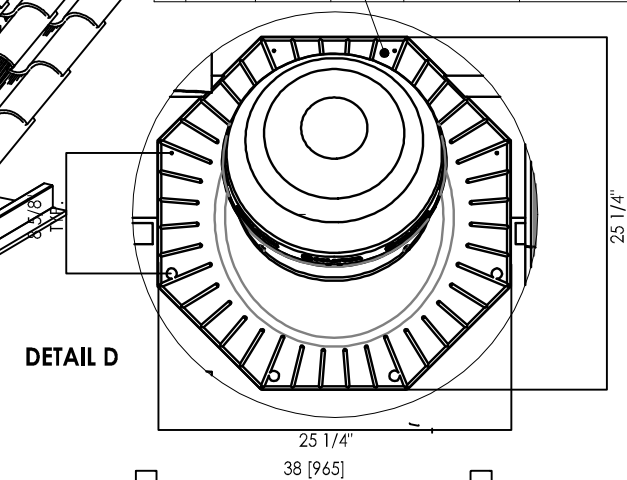
SOLATUBE 290 DS
(14 IN / 350 MM)
PITCHED TILE FLASHING
HARD CEILING



FULL SECTION
SCALE 1:1



REVISIONS					
REV	ECC	DATE	REVISED	CHECKED	APPROVED
A		10/4/10	COUNTER-BASE FLASHING		



NOTES:

1. STRUCTURAL ELEMENTS (PLYWOOD, RAFTERS, DRYWALL ETC. BY OTHERS & SHOWN FOR REFERENCE ONLY).
2. ALL TUBE JOINTS & SEAMS TAPED WITH 2" FOIL TAPE (NOT SHOWN).
3. DIMENSIONS IN BRACKETS ARE METRIC UNLESS OTHERWISE SPECIFIED.
4. 6" MIN CLEARANCE SHOULD BE MAINTAINED FROM ALL SOLATUBE COMPONENTS AND OTHER PLENUM COMPONENTS.

UNLESS OTHERWISE SPECIFIED: DIMENSION TOLERANCE FRACTION : ±1/4" INCH X ± .1		TOP VIEW SOLATUBE INTERNATIONAL INC. COPYRIGHT 2010 WWW.SOLATUBE.COM			
MATERIAL: --	DRAWN BY: STEVENS	DATE: 10/4/10	TITLE: SOLATUBE 290 DS PITCHED TILE FLASHING HARD CEILING		
FINISH: --	CHECKED BY: --	DATE: --	SIZE: D	DWG. NO. WEB-290DS-TILE-HC	REV A
DO NOT SCALE DRAWING		APPROVED BY: --	DATE: --	SCALE: 1:1	SHEET 1 OF 1